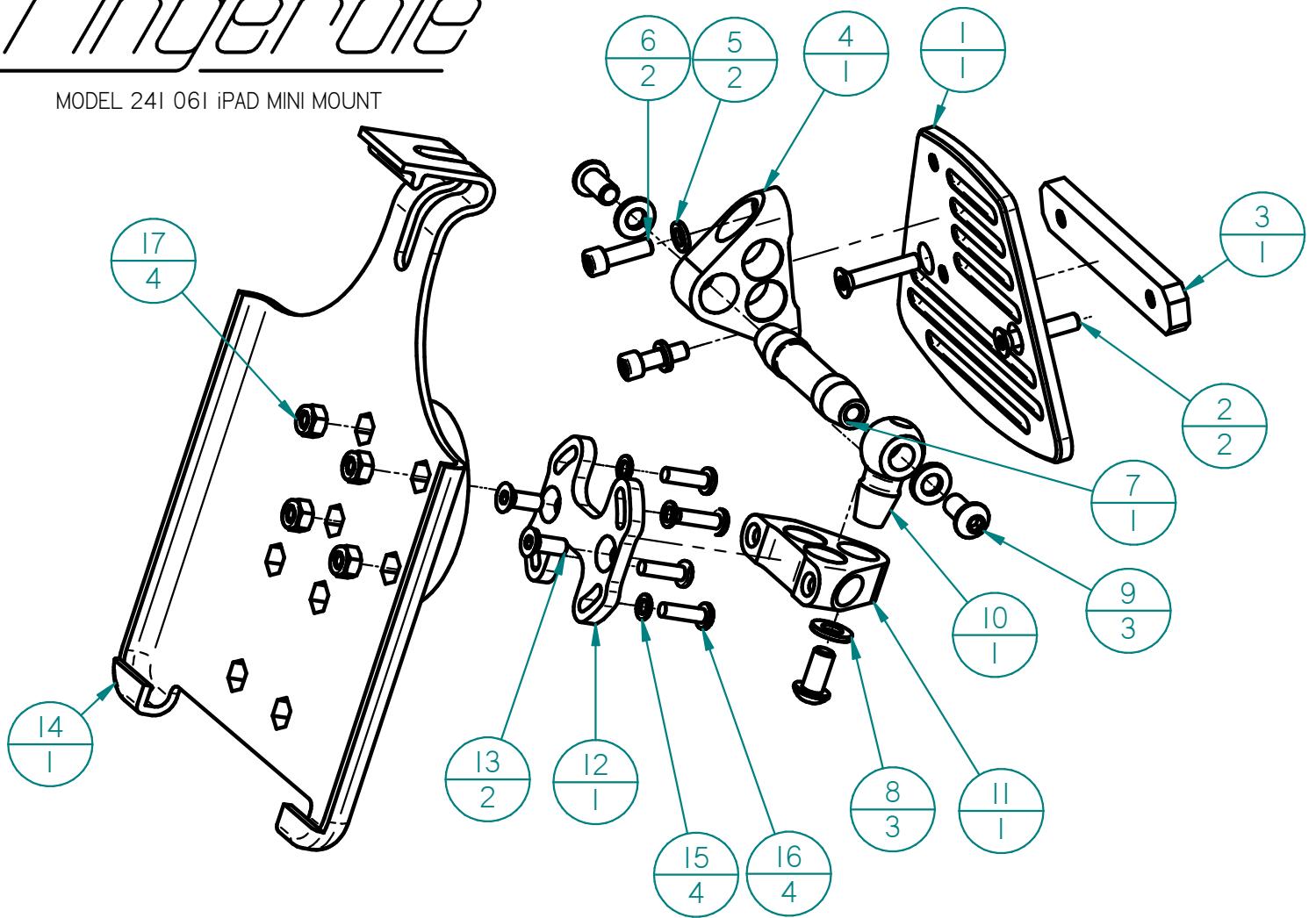


# Angerole

MODEL 24I 06I iPad MINI MOUNT



| ITEM | DESCRIPTION        | PART No                      | QTY |
|------|--------------------|------------------------------|-----|
| 1    | YOKE PLATE         | 24I 019 004                  | 1   |
| 2    | SCREW              | 10-32 UNF x 1.000 SKT HD CSK | 2   |
| 3    | FACEPLATE RETAINER | 24I 044 003                  | 1   |
| 4    | PANEL ADAPTOR      | 24I 024 001                  | 1   |
| 5    | WASHER             | NAS620-C10                   | 2   |
| 6    | SCREW              | 10-32 x 0.625 SKT HD CAP     | 2   |
| 7    | ELBOW AXLE TYPE 2  | 24I 060 002                  | 1   |
| 8    | WASHER             | NAS620-C416                  | 3   |
| 9    | SCREW              | 1/4 UNC x 0.500 SKT HD BTN   | 3   |
| 10   | ELBOW RECEIVER     | 24I 020 004                  | 1   |
| 11   | PLATE MOUNT        | 24I 020 004                  | 1   |
| 12   | iPAD AMPS PLATE    | 24I 049 001                  | 1   |
| 13   | SCREW              | 10-32 UNF x 0.500 SKT HD CSK | 2   |
| 14   | iPAD MINI CRADLE   | RAM-HOL-APU14L               | 1   |
| 15   | WASHER             | NAS620-C8                    | 4   |
| 16   | SCREW              | 8-32 x 0.562 PAN HD          | 4   |
| 17   | NUT                | 8-32 NYLOCK                  | 4   |