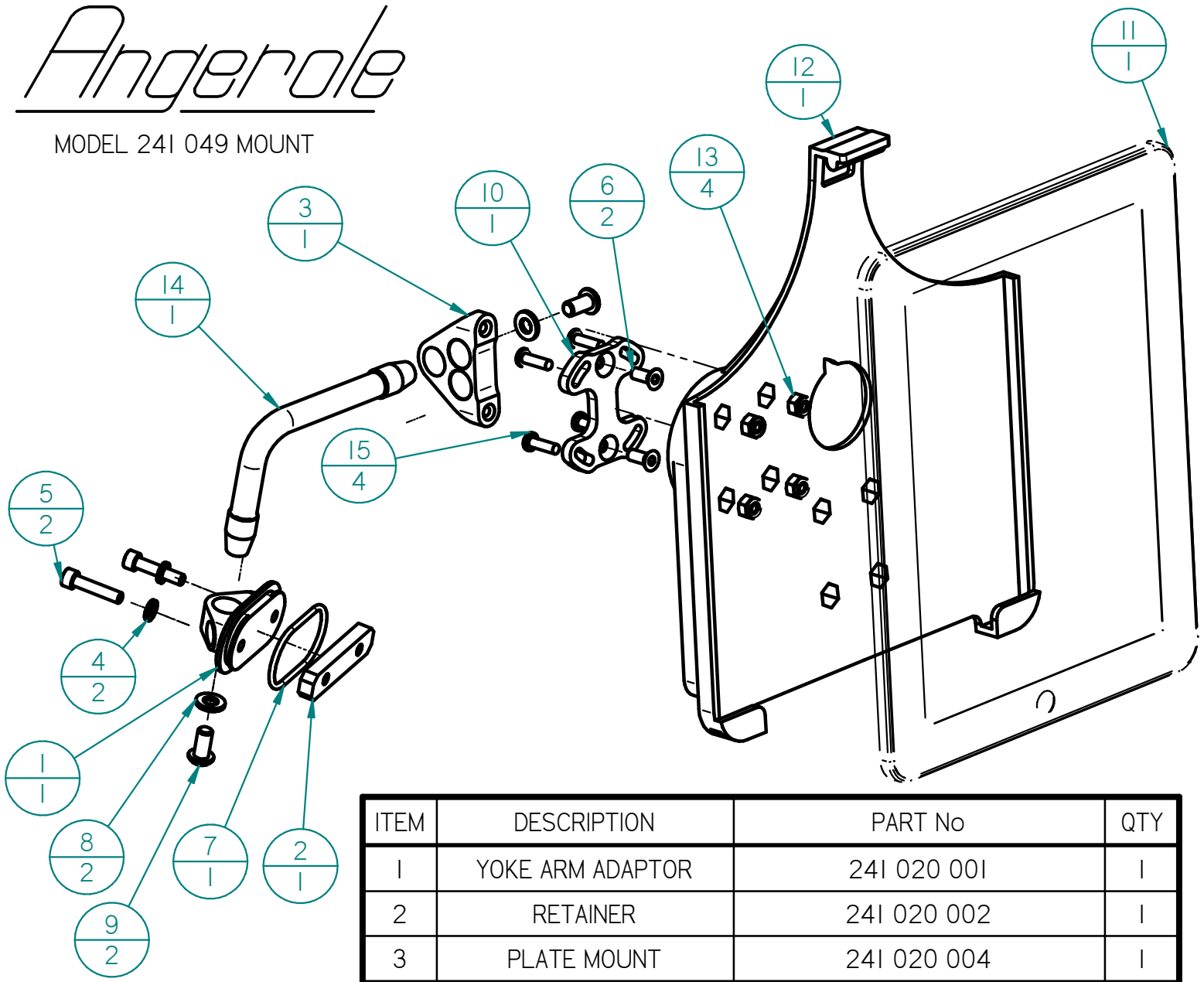


# Angerole

MODEL 241 049 MOUNT



ITEM	DESCRIPTION	PART No	QTY
1	YOKE ARM ADAPTOR	241 020 001	1
2	RETAINER	241 020 002	1
3	PLATE MOUNT	241 020 004	1
4	WASHER	NAS620-C10	2
5	SCREW	10-32 UNF x 0.875 SKT HD CAP	2
6	SCREW	10-32 UNF x 0.500 SKT HD CSK	2
7	O-RING	AS568A-I23	1
8	WASHER	NAS620-C416	2
9	SCREW	1/4 UNC x 0.500 SKT HD BTN	2
10	iPAD AMPS PLATE	241 049 001	1
11	COMPUTER	iPAD	1
12	CRADLE	RAM-HOL-AP8U	1
13	NUT	8-32 NYLOCK	4
14	iPAD ARM	241 020 009	1
15	SCREW	8-32 x 0.562 PAN HD	4